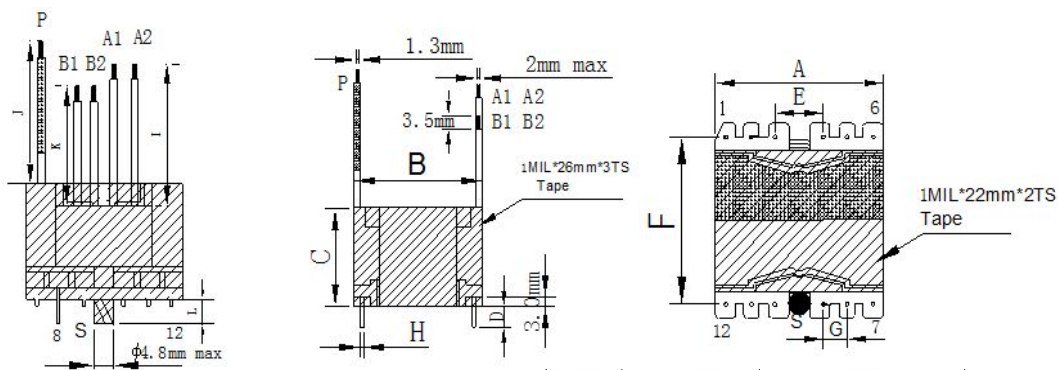


| | | |
|-------------------|------|---------------|
| CUSTOMER TERMINAL | ROHS | Lead(Pb)-free |
| | YES | YES |

1. Mechanical Dimensions



| | | |
|---|-------|------|
| A | 35.0 | MAX |
| B | 35.0 | MAX |
| C | 26.5 | MAX |
| D | 3.5 | ±0.5 |
| E | 7.5 | ±0.3 |
| F | 30.0 | ±0.4 |
| G | 5.0 | ±0.3 |
| H | 0.80 | ±0.1 |
| I | 58.5 | ±2.0 |
| J | 53.50 | ±2.0 |
| K | 39.5 | ±2.0 |
| L | 3.5 | ±0.5 |

3. Material List

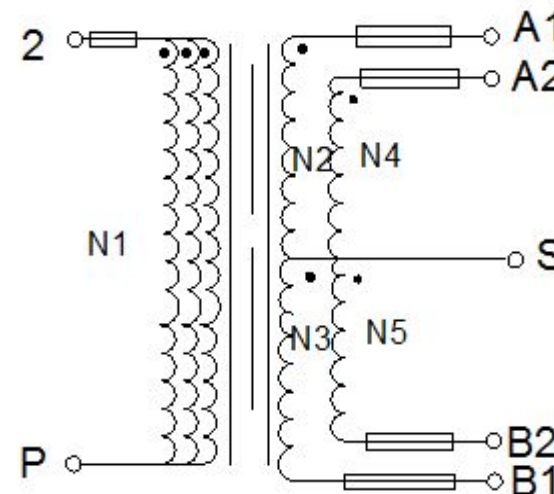
Core:FW44 PQ3225

Bobbin:FWB3202-1(6+6PIN)

Wire: TIW LITZ

Operating Temperature: -30 to 115 °C

2. Schematic Diagram



4. Electrical Specification

Inductance : $L (2-P) 45\mu H \pm 5\%$ 100KHZ, 0.9V

Leakage Inductance : $5\mu H$ MAX 100KHZ, 0.9V

DCR : $(P-2)=60m\Omega$ MAX

Hi-Pot:P-S: AC 60Hz 4000V 1mA 3S

P-CORE: AC 60Hz 3000V 1mA 3S

| | | | | | | | |
|-------------|-------|------------------------------------------------------|------|----------------|----------|--------------------|----------------------------|
| REV. | DATE | <p>Convention Placement</p> | DRW. | Drawing Title: | Part No: | | |
| 0 | 00/00 | | CHK. | | | TRANSFORMER | FWPTPQ3225V450J |
| | | | APP. | | | Customer P/N | Specification Sheet 1 of 1 |
| ROHS | | www.ferriwo.com | | | | | |